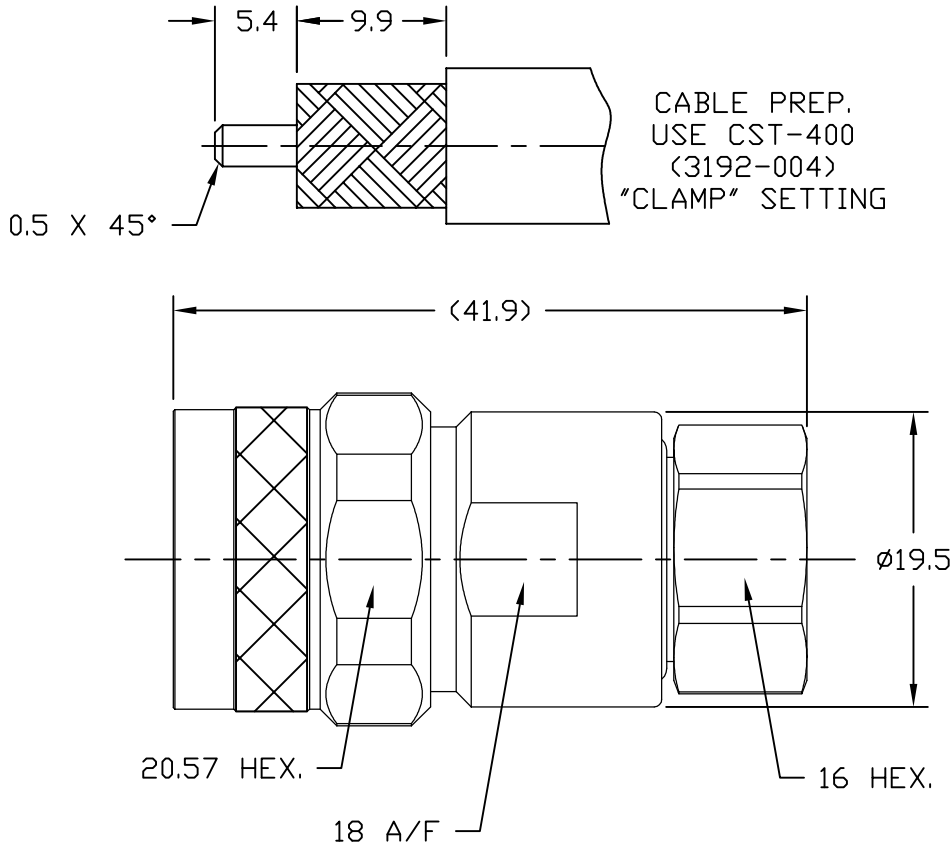


NOTICE OF PROPRIETARY RIGHTS THIS DOCUMENT CONTAINS CONFIDENTIAL TECHNICAL DATA, INCLUDING TRADE SECRETS, PROPRIETARY TO TIMES MICROWAVE SYSTEMS. DISCLOSURE OF THIS DATA IS EXPRESSLY CONDITIONED UPON YOUR ASSENT THAT ITS USE IS LIMITED TO USE WITHIN YOUR COMPANY ONLY. ANY OTHER USE IS STRICTLY PROHIBITED WITHOUT THE PRIOR WRITTEN CONSENT OF TIMES MICROWAVE SYSTEMS.

SYM	REVISION DESCRIPTION	DFTM	DATE	APPD	DATE
A	RELEASED FOR PRODUCTION	K.A.M.	5/20/11	J.D.B.	6/9/11
B	CHANGED PER CDC #40731	D.J.H.	9/4/14	J.D.B.	9/9/14



Reference standard IEC61169-16

I. Electric Performance

Nominal Impedance(Ω):	50
Frequency Range:	DC-6GHz
VSWR:	≤ 1.35
INSERT LOSS: (dB)	≤ 0.10 (0-3GHz)
Insulation resistance(M Ω)	> 5000
Proof Voltage(V)	2500
Conductor resistance(m Ω)	outer conductor < 0.4 inner conductor < 0.8

II. Mechanical Performance

Whorl Pull	500N
Nut torque	5N.m
Tensile Force (cable-connect)	400N
Torsion (cable-connect)	2N.m

III. Material and plating :

Component	Material	Plating
Inner conductor	Beryllium copper	Au $> 1.27\mu\text{m}$
Outer conductor	Brass	Copper-tin-zinc $> 2\mu\text{m}$
Insulator	PTFE	
Nut	Brass	Copper-tin-zinc $> 2\mu\text{m}$

IV. Environment

Temp.range	$-55^{\circ}\text{C} \sim +155^{\circ}\text{C}$
Thermal shock	IEC60068-2-14-Na
Vibration	IEC60068-2-6-Fc
Shock	IEC60068-2-27
Weather standard	IEC 68 55 / 155/ 56
Waterproofing Standard	IP67
ROHS Compliant	

V. Assembly: inner and outer conductor installed

MATL:	UNLESS OTHERWISE SPECIFIED ALL DIMENSIONS ARE IN mm MACHINED SURFACES FINISH N/A RMS MAX. REMOVE ALL BURRS N/A MAX. BREAK MACHINE CORNERS N/A MAX. FILLET R. TOLERANCES ON DECIMALS . XX \pm N/A . XXX \pm N/A ANGLES \pm N/A FRACTIONS \pm N/A	DFTM. K. A. M.	TIMES MICROWAVE SYSTEMS
		DATE 5/20/11	
USED ON: V1 RO		CHKD. J. D. B.	EZ-400-NMC-2-D "N" MALE FOR LMR-400 CABLE
		DATE 6/9/11	
SCALE: N/A	DWG. SIZE A	APPD. J. D. B.	SHEET 1 of 1
		DATE 6/9/11	
DO NOT SCALE DRAWING	CODE IDENT 68999	DATE 6/9/11	REV B