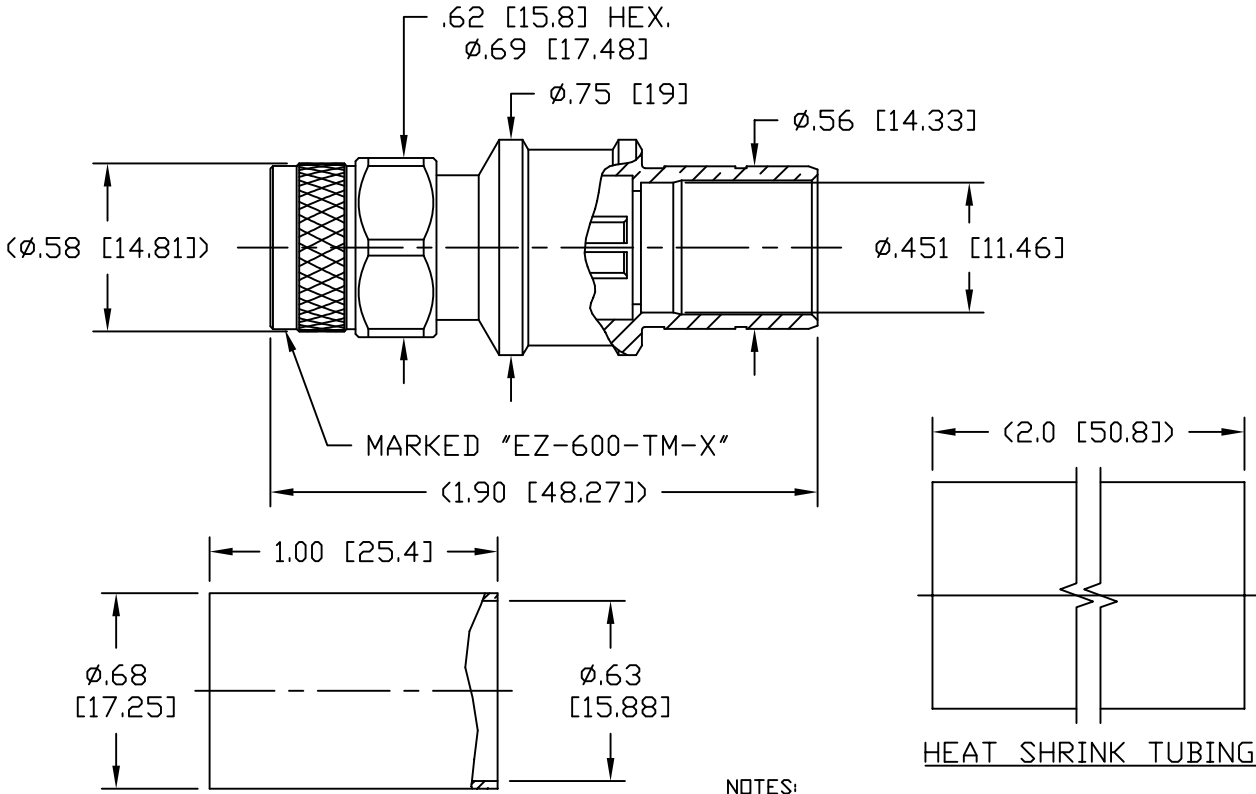


NOTICE OF PROPRIETARY RIGHTS THIS DOCUMENT CONTAINS CONFIDENTIAL TECHNICAL DATA, INCLUDING TRADE SECRETS, PROPRIETARY TO TIMES MICROWAVE SYSTEMS. DISCLOSURE OF THIS DATA IS EXPRESSLY CONDITIONED UPON YOUR ASSENT THAT ITS USE IS LIMITED TO USE WITHIN YOUR COMPANY ONLY. ANY OTHER USE IS STRICTLY PROHIBITED WITHOUT THE PRIOR WRITTEN CONSENT OF TIMES MICROWAVE SYSTEMS.

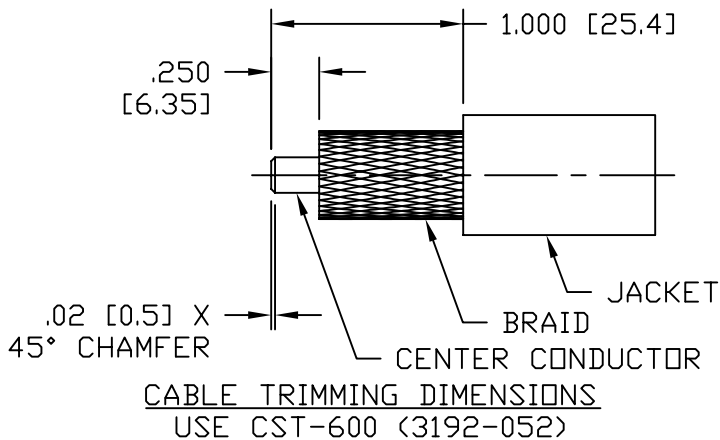
| SYM | REVISION DESCRIPTION | DFTM | DATE | APPD | DATE |
|-----|-------------------------|--------|----------|--------|----------|
| A | RELEASED FOR PRODUCTION | K.A.M. | 2/24/10 | J.D.B. | 3/11/10 |
| B | CHANGED PER CDC #34322 | D.J.H. | 10/12/11 | J.D.B. | 10/27/11 |
| C | CHANGED PER CDC #36607 | D.J.H. | 11/16/12 | J.D.B. | 11/19/12 |
| D | CHANGED PER CDC #36651 | D.J.H. | 11/26/12 | J.D.B. | 11/27/12 |



HEAT SHRINK TUBING

NOTES:

- MATERIALS AND FINISHES:**
 BODY: BRASS, ALBALDY PLATING
 COUPLING NUT: BRASS, ALBALDY PLATING
 CENTER CONTACT: BERYLLIUM COPPER, GOLD PLATE
 INSULATOR: PTFE, NATURAL
 FERRULE: COPPER, ALBALDY PLATING
- ELECTRICAL:**
 IMPEDANCE: 50 OHMS NOMINAL
 FREQUENCY: DC-6 GHz
 VSWR: 1.2 DC-6 GHz
 DIELECTRIC WITHSTANDING VOLTAGE: 1,000 VOLTS RMS
- MECHANICAL:**
 DURABILITY: 500 CYCLES MIN.
 TEMPERATURE RANGE: -65°C TO +165°C
- CABLING INSTRUCTIONS:**
 A. SLIDE FERRULE OVER CABLE JACKET
 B. TRIM CABLE TO DIMENSIONS SHOWN. MAKE SURE CUTS ARE SHARP AND SQUARE. DO NOT NICK BRAID OR CENTER CONDUCTOR.
 C. FLAIR BRAID SLIGHTLY AND INSERT CABLE INTO BODY UNTIL BOTTOMED. (CONTACT SUPPLIED ASSEMBLED.) SLIDE THE FERRULE UP THE CABLE AND OVER THE BRAID UNTIL BOTTOMED ON BODY. CRIMP FERRULE USING A .610 HEX.



| | | | |
|----------------------|--|----------------|--|
| MATERIAL: | UNLESS OTHERWISE SPECIFIED ALL DIMENSIONS ARE IN INCHES MACHINED SURFACES FINISH 32 RMS MAX. REMOVE ALL BURRS .005 MAX. BREAK MACHINE CORNERS .005 MAX. FILLET R. TOLERANCES ON DECIMALS .XX ± .01 .XXX ± .005 ANGLES ± 1° FRACTIONS ± 1/64 | DFTM: K. A. M. | TIMES MICROWAVE SYSTEMS |
| | | DATE: 2/24/10 | |
| USED ON: B | | CHKD: J. D. B. | EZ-600-TM-X PLUG, TNC, EZ FOR LMR-600 |
| | | DATE: 3/11/10 | |
| SCALE: ~ | DWG. SIZE: A | APPD: J. D. B. | SHEET: 1 of 1 |
| | | DATE: 3/11/10 | |
| DO NOT SCALE DRAWING | CODE IDENT: 68999 | DATE: 3/11/10 | REV: D |