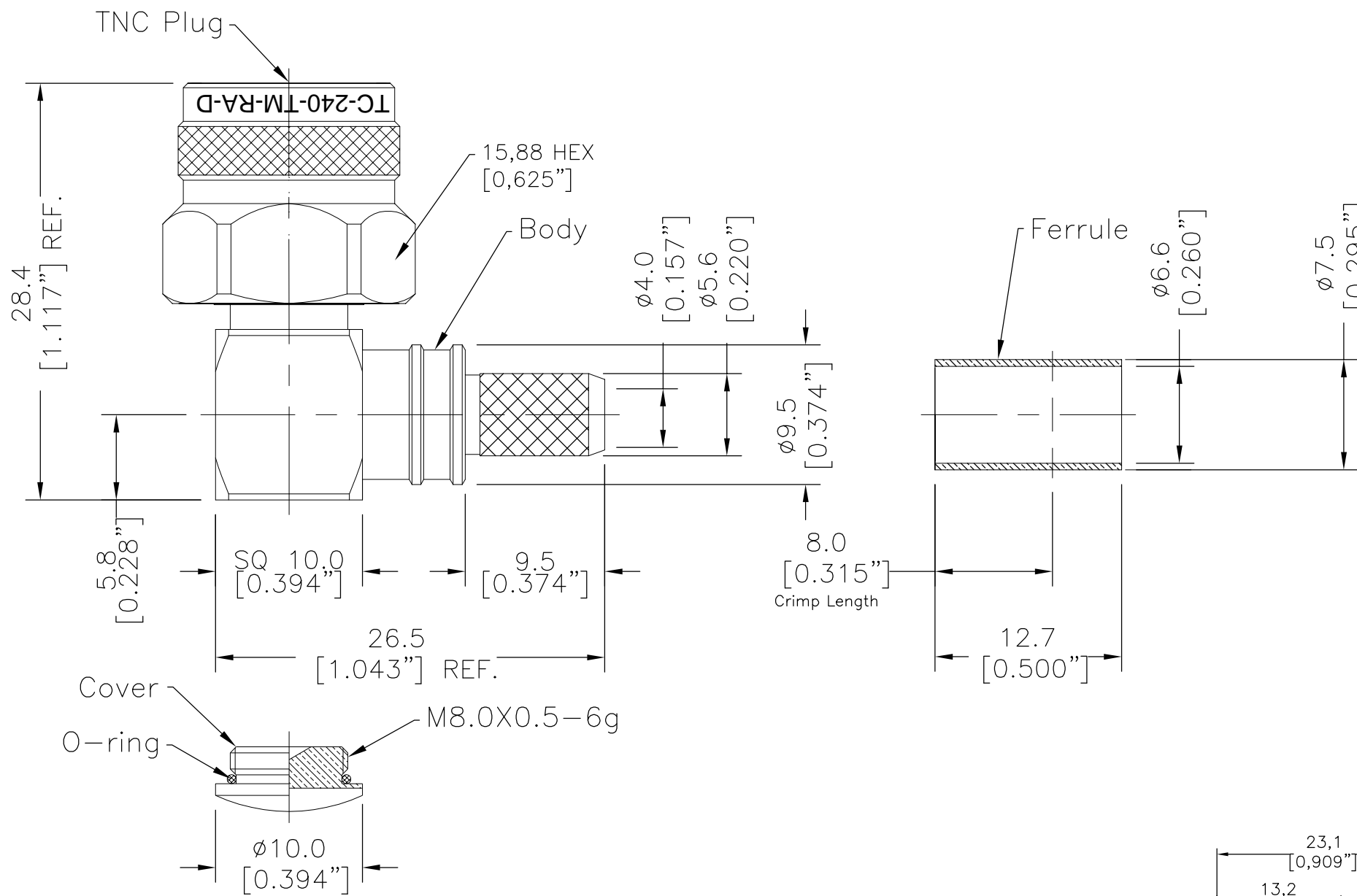


SYM	REVISION DESCRIPTION	DFTM	DATE	APPD	APPD
A	RELEASED FOR PRODUCTION	Monica	2018.11.14	Joslen	2018.11.14



**I. MATERIALS & FINISHES**

Components	Materials	Finishes	Thk. (μ")
Body	Brass	Albaloy	80
Center Cont.	Brass	Gold	50
Ferrule	Brass	Albaloy	80
Nut	Brass	Albaloy	80
Insulator	PTFE	--	--
Gasket	Silicone	--	--

**II. ELECTRICAL PROPERTIES**

Impedance (Ω):	50
Frequency Range (GHz):	DC to 6 GHz
Dielectric Withstanding Voltage (V):	1000
Insulation Resistance (MΩ):	≥5000
VSWR:	≤1.35
Insertion Loss(dB, f/GHz):	-0.1x √f

**III. ENVIRONMENT PROPERTIES**

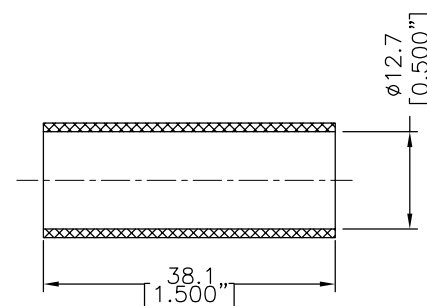
Temperature Range:	-40°C~+125°C
Thermal Shock:	MIL-STD 202G, Meth.107, Cond.B
Vibration:	MIL-STD 202G, Meth.204, Cond.B
Shock:	MIL-STD 202G, Meth.213, Cond I
Climatic Class:	IEC 60068 55/155/21
RoHS:	Compliant

**IV. MECHANICAL PROPERTIES**

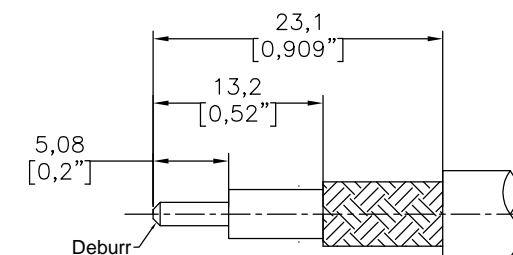
Center Cont.:	Solder
Outer Cont.:	Crimp
Coupling Nut Torque (in.lbs):	8-12
Cbl-Connector Retention Force (lbs):	60
Durability (cycles):	500

**V. TOOLING**

Crimping Tool: 3190-667/CT-240/200/100



Shrink Tube (1/2"x1.5" 3:1)



RECOMMENDED CABLE STRIPPING DIM'S  
Connector adds: 4,2 mm

Interface Compatible with Standard:  
IEC 60169-17  
MIL-STD-348A/313

MATL:	UNLESS OTHERWISE SPECIFIED	DFTM:	Monica		
USED ON: O	ALL DIMENSIONS ARE IN mm MACHINED SURFACES FINISH 1.6 RMS MAX. REMOVE ALL BURRS 0.15X45° MAX. BREAK MACHINE CORNERS 0.15X45° D MAX. FILLET R. TOLERANCES ON DECIMALS .X ±0.3 .XX ±0.15 ANGLES ±2° FRACTIONS ± N/A	DATE	2018.11.14		
SCALE: N/A		CHKD	Patrick		
DWG SIZE: A4		DATE	2018.11.14		
		APPD	Joslen		
	DO NOT SCALE DRAWING	DATE	2018.11.14	<b>TC-240-TM-RA-D</b> TNC Male (Plug) Right Angle Solder Pin Connector for LMR-240 Cable	
	CODE ID/FNT	68999	DATE	2018.11.14	SHT 1 OF 1 <b>3190-6547</b>
				REV	A